



## G4 THERMOPRO 1.5 GALLON COFFEE BREWERS

MODELS: G4TP2S63A3100  
G4TP2T10A3100



G4TP2S63A3100 SINGLE COFFEE  
BREWER WITH ONE 1.5 GALLON  
TXSG1501S600 DISPENSER



G4TP2T10A3100 TWIN  
COFFEE BREWER WITH TWO 1.5 GALLON  
TXSG1501S600 DISPENSERS

### Brewing Technology Made Simple.

Introducing the next generation of coffee brewing... G4. The new G4 delivers high-tech advancements to make serving hot, fresh coffee even easier. Its simple, intuitive, icon-driven interface includes features that will simplify brewing operations, provide fast and intuitive training and reduce service calls and costs. All with the touch of a button.

ITEM NO

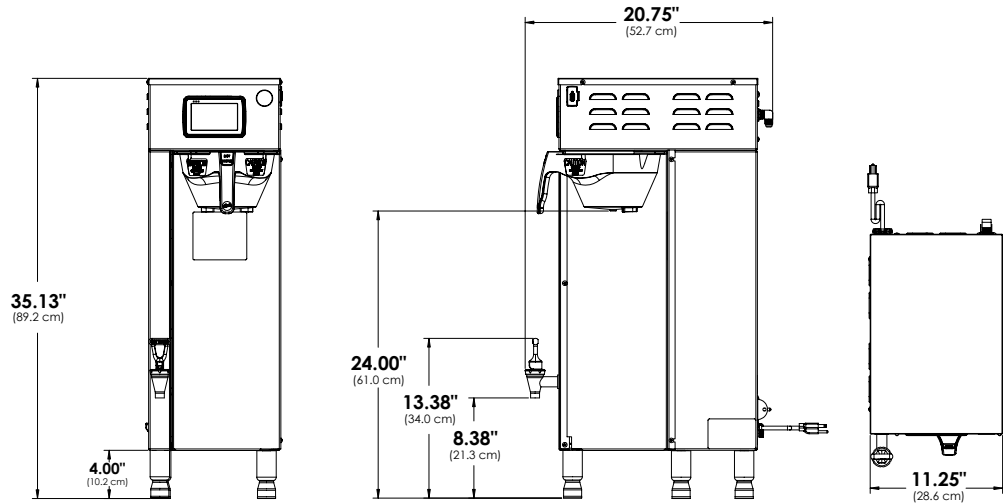
PROJECT

DATE

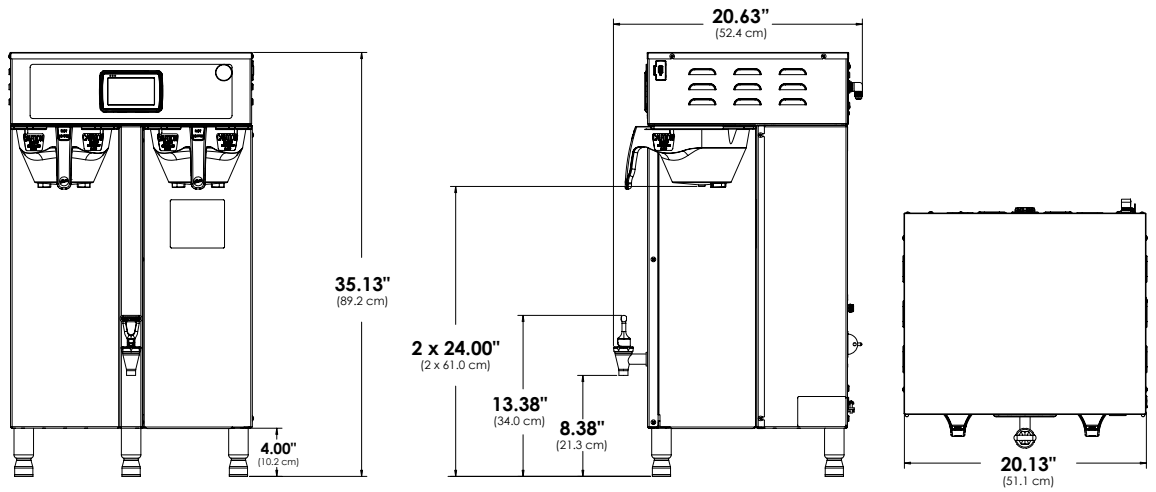
#### FEATURES AT A GLANCE

- Generation Four (G4) Digital Control Module – Large, 4.3" touch screen. Icon-driven interface streamlines operation.
- On-Screen Instructions – Provides fast, intuitive training; reduces service calls.
- Built-in Self Diagnostic System – Includes real-time feedback of the brewing process and energy saving mode
- Gold Cup Series™ – Digital Control Module provides precise control over all aspects of brewing: time, temperature, volume plus specialty coffee needs from pre-infusion to pulse- brewing to water bypass
- Pre-set, One-Touch Global Recipes – Based on coffee type, grind and weight. Simplifies profile setting for gourmet results every time.
- Industry's Most Effective Mineral Tolerant Design – Patented fast-wetting AFS Sprayhead and non-immersed water temperature sensor
- Encapsulated Control Board – Protects against steam, water and impact.
- Stainless Steel ThermoPRO™ vacuum-sealed servers keep coffee fresh, hot and flavorful
- Single unit is field selectable for One, Two or Three Batch brewing
- Enhanced Recovery Circuitry – boosts performance on 220V/single phase models
- All features are standard from Curtis... extra from others.

## G4TP2S63A3100



## G4TP2T10A3100



## SPECIFICATIONS

MODEL #	DIMENSIONS (H x W x D)	PHASE (PH)	HEATER CONFIG	VOLTAGE (V)	WIRE	WATTS	AMPS (A)	MINIMUM FLOW RATE	WATER CONNECTION	SHIP WEIGHT (LBS.)	CUBE (CU. FT.)
G4TP2S63A3100	35.00" X 11.25" X 20.75"	1	2 X 1600	120/220	2W+G/ 3W+G	1800/ 2800	15.0/ 12.7	1.0	3/8" FLARE	53.0	9.6
G4TP2T10A3100	35.13" X 20.13" X 20.63"	1	3 X 2500	220	3W+G	5100/ 7600	23.0/ 34.5	2.0	3/8" FLARE	75.0	14.3

SPECIFICATIONS SUBJECT TO CHANGE WITHOUT NOTICE.



**WARNING** - These products can expose you to chemicals including Acrylamide and Bisphenol A (BPA), which are known to the State of California to cause cancer and birth defects or other reproductive harm. For more information visit [www.P65Warnings.ca.gov](http://www.P65Warnings.ca.gov)



WILBUR CURTIS COMPANY, INC.  
6913 Acco Street, Montebello, CA 90640-5403  
Telephone: 800-421-6150 · 323-837-2300  
Technical Support: 800-995-0417 M-F 5:30am-4:00pm PST  
Fax: 323-837-2406  
[www.wilburcurtis.com](http://www.wilburcurtis.com)



AUG/2018

CS\_F-3956\_Curtis\_G4TP2\_revA