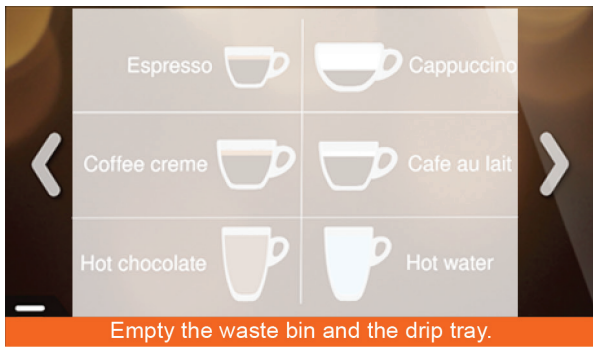
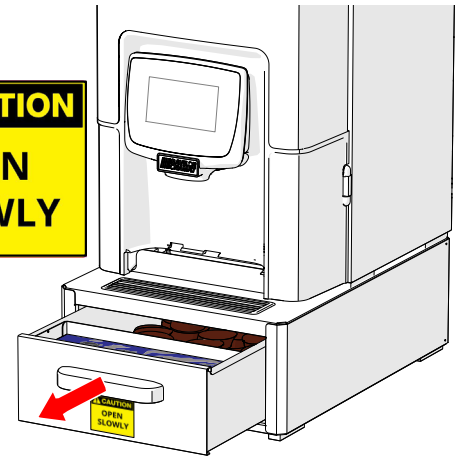


EN Emptying and cleaning pedestal Sego
FR vidange et nettoyage rehausse Sego
DE Entleeren und reinigen Erhöhungstableau Sego
NL Legen en reinigen verhogingstableau Sego
SV Tömning och rengöring piedestal Sego

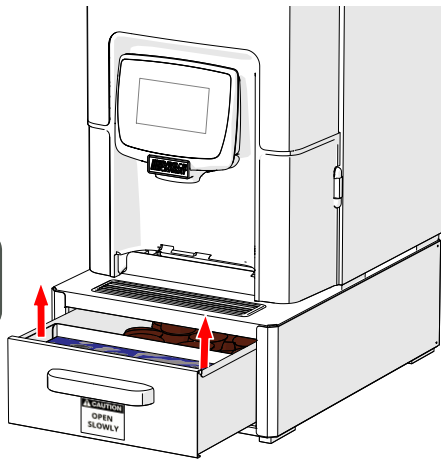
NO Tømning og rengjøring pidestall Sego
ES Vaciado y limpieza pedestal elevador Sego
IT Svuotamento e pulizia pedestal Sego
PL Opróżnianie i czyszczenie podwyższenie Sego



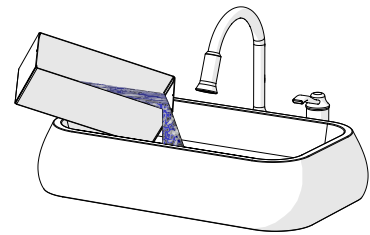
1



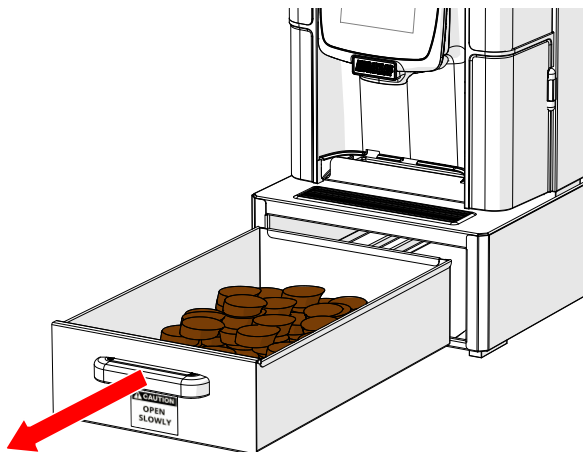
2



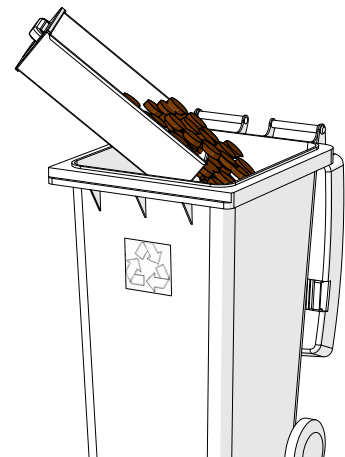
3



4

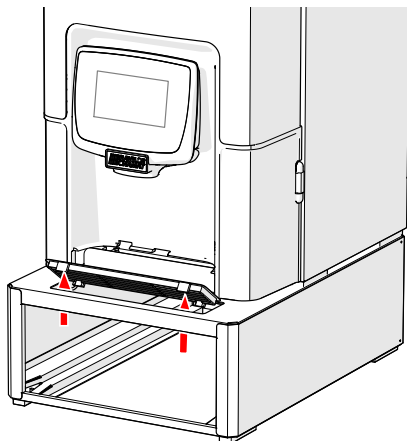


5

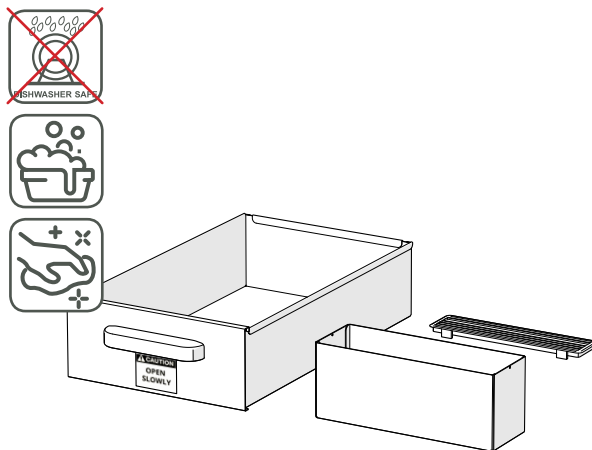


6

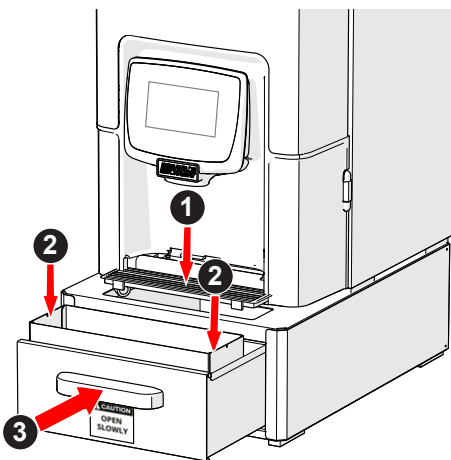
7



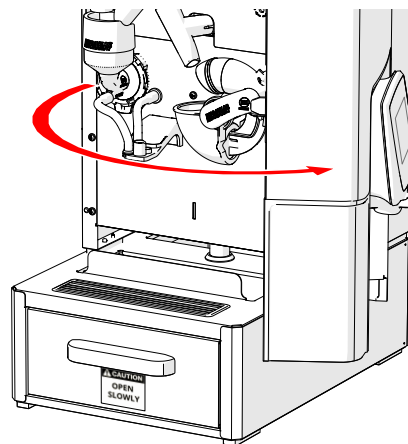
8



9



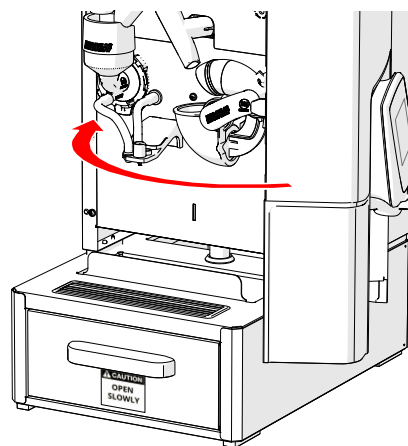
10



11



12



13



Cleaning instructions



DAILY

- ▷ mixing cup
- ▷ brewer
- ▷ waste bin
- ▷ drip tray
- ▷ outer surface

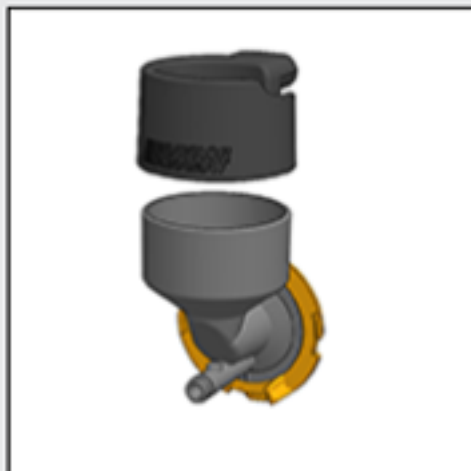
WEEKLY

- ▷ canisters
- ▷ bean container
- ▷ grinder outlet
- ▷ fan
- ▷ inside

scan the QR
code for more
information



Daily cleaning - mixing cup



- Remove the mixing cup
- Clean the loose parts with warm water and soap (dishwasher-safe)
- Put everything back in place correctly
- Check all connections
- Activate 'rinse machine'



Daily cleaning - brewer



- Remove the brewer
- Clean the loose parts with warm water and soap (NOT dishwasher-safe)
- Put everything back in place correctly
- Check all connections
- Activate 'rinse machine'



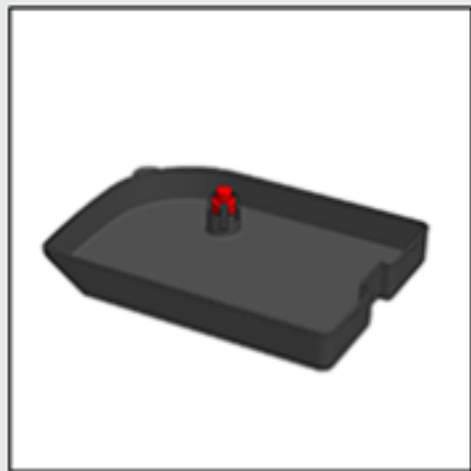
Daily cleaning - waste bin



- Clean the waste bin with warm water and soap (NOT dishwasher safe)
- Dry



Daily cleaning - drip tray



- **Clean the drip tray with warm water and soap (NOT dishwasher-safe)**
- **Check the dobber**



Daily cleaning - outer surface



- Turn the machine off
- Clean the outside of the machine and the drip tray plate with a damp cloth



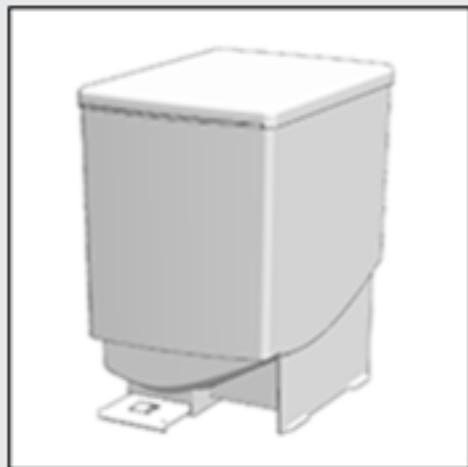
Weekly cleaning - canisters



- **Connect the yellow slider**
- **Remove and empty the canister**
- **Disassemble the outlet**
- **Clean the loose parts DRY, with a brush**
- **Put everything back in place correctly**
- **Open the yellow slider**
- **Activate 'rinse machine'**



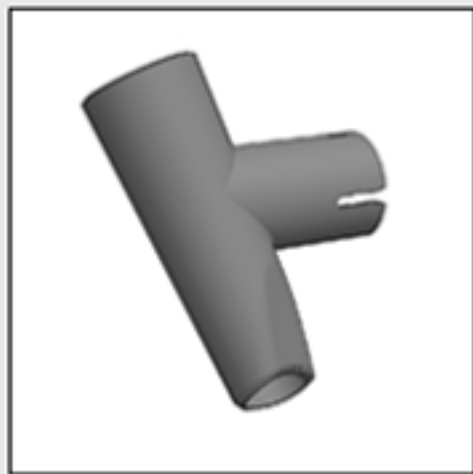
Weekly cleaning - bean container



- Remove the bean container
- Empty the bean container
- Clean the bean container
(NOT dishwasher-safe)
- Dry thoroughly



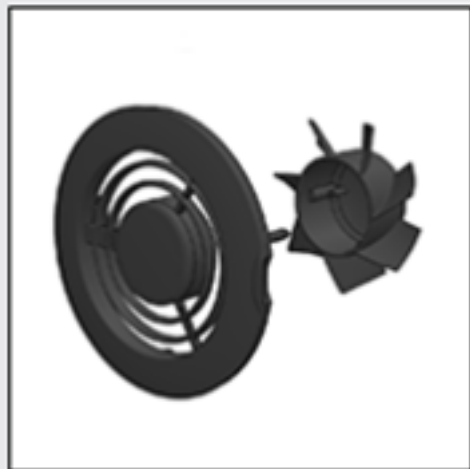
Weekly cleaning - grinder outlet



- Remove the grinder outlet
- Clean the part with hot water and soap (NOT dishwasher safe)
- Dry thoroughly



Weekly cleaning - ventilator



- Turn the machine off
- Clean the rotor with warm water and soap (NOT dishwasher-safe)
- Clean the ventilator housing with a brush or a damp cloth
- Put everything back in place correctly



Clean weekly - interior



- Remove the canister and bean container
- Remove the drip tray and the waste bin
- Clean the inside of the machine with a damp cloth

